

Neo Pot Magnets

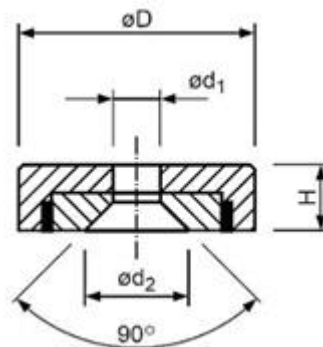
Assembled of a round mild steel cover, a non-ferrous insulator and a Neodymium magnet core, pressed together. There is a center hole, or a tap hole, or a tap bolt on the back of the assembly for mounting.

Applications include magnetic holding, Lifting, Antenna Mounting and Positioning

Besides standard models (Stock Sizes) listed below, we can make assemblies to custom designs.



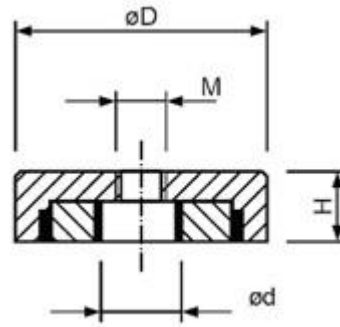
EN-A Series Neo Pot magnet flat with bore and 90° counter bore



They are assembled with a NdFeB ring magnet and soft steel cover. The Neo magnet can be Nickel or Zinc plated and the steel cover can be Nickel (Zinc or Chrome) plated.

Model	Ø D (mm)	Ø d 1 (mm)	Ø d 2 (mm)	H(mm)	Holding Force (kg)
EN-A16	16	3.5	6.5	5	5
EN-A20	20	4.5	8.5	7	6
EN-A25	25	5.5	10.4	8	14
EN-A32	32	5.5	10.4	8	25
EN-A36	36	6.5	12	9	29
EN-A42	42	6.5	12	9	37
EN-A48	48	8.5	16	11.5	68
EN-A60	60	8.5	16	15	112
EN-A75	75	10.5	19	18	162

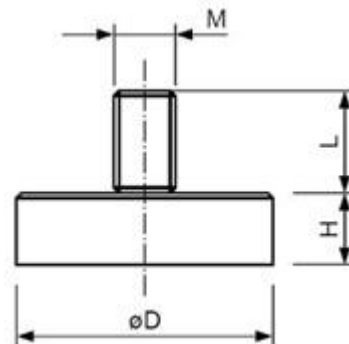
EN-B Series Neo Pot magnet flat with ring magnet



They are assembled with a NdFeB ring magnet and soft steel cover. The Neo magnet can be Nickel or Zinc plated and the steel cover can be Nickel (Zinc or Chrome) plated

Model	$\varnothing D(\text{mm})$	M	$\varnothing d(\text{mm})$	H(mm)	Holding Force (kg)
EN-B16	16	3.5	6.5	5	4
EN-B20	20	4.5	8	7	6
EN-B25	25	5.5	9	8	14
EN-B32	32	5.5	9	8	23
EN-B36	36	6.5	11	9	29
EN-B42	42	6.5	11	9	32
EN-B48	48	8.5	15	11.5	63
EN-B60	60	8.5	15	15	95
EN-B75	75	10.5	18	18	155

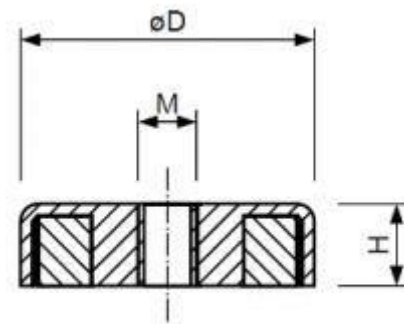
EN-C Series Pot magnet flat with threaded neck



They are assembled with a NdFeB disk magnet and soft steel cover w/bolt on the top. The two parts are bonded together with epoxy. The NdFeB magnet can be Nickel or Zinc plated and the steel cover can be Nickel (Zinc or Chrome) plated.

Model	$\varnothing D(\text{mm})$	M	L(mm)	H(mm)	Holding Force (kg)
EN-C16	16	4	8	5	5.5
EN-C20	20	4	8	7	9
EN-C25	25	5	9	8	22
EN-C32	32	6	10	8	34
EN-C36	36	8	10	8	41
EN-C42	42	8	11	9	68
EN-C48	48	8	12.5	11.5	81
EN-C60	60	10	15	15	113
EN-C75	75	10	19	15	164

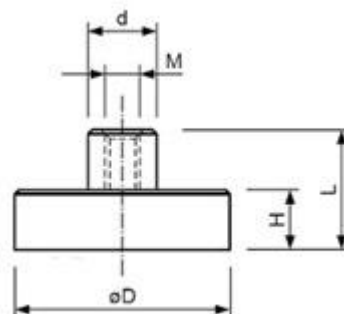
EN-D Series Pot magnet flat with internal thread



They are assembled with a NdFeB magnet and soft steel cover with internal thread. The NdFeB magnet can be Nickel or Zinc plated and the steel cover can be Nickel (Zinc or Chrome) plated, and the gap filled with a plastic ring

Model	Ø D(mm)	M	H(mm)	Holding Force (kg)
EN-D16	16	4	5	4
EN-D20	20	4	7	6
EN-D25	25	5	8	14
EN-D32	32	6	8	23
EN-D36	36	8	8	29
EN-D42	42	8	9	32
EN-D48	48	8	11.5	63
EN-D60	60	10	15	95
EN-D75	75	10	15	155

EN-E Series Pot magnet flat with screwed bush

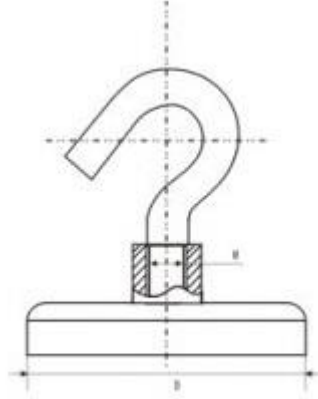


They are assembled with a NdFeB disk magnet and soft steel cover w/tap bolt on the top. The two parts are bonded together with epoxy. The NdFeB magnet can be Nickel or Zinc plated and the steel cover can be Nickel (Zinc or Chrome) plated.

Model	Ø D(mm)	d	M	L	H	Holding Force (kg)
EN-E16	16	6	4	8	5	5.5
EN-E20	20	8	4	8	7	9
EN-E25	25	10	5	9	8	22

EN-E32	32	10	6	10	8	34
EN-E36	36	10	8	10	8	41
EN-E42	42	12	8	11	9	68
EN-E48	48	12	8	12.5	11.5	81
EN-E60	60	14	10	15	15	113

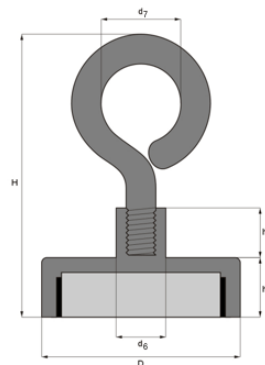
EN-F Series Pot magnet flat with a hook



They are assembled with a NdFeB disk magnet and steel hook on the top. The NdFeB magnet can be Nickel or Zinc plated and the steel cover and hook can be Nickel (Zinc or Chrome) plated.

Model	Ø D (mm)	M	Holding Force (kg)	Weight (g)
EN-F16	16	4	5.5	11
EN-F20	20	4	9	21
EN-F25	25	5	22	37
EN-F32	32	6	34	56
EN-F36	36	6	41	68
EN-F42	42	6	68	97
EN-F48	48	8	81	154
EN-F60	60	8	113	282
EN-F75	75	10	164	560

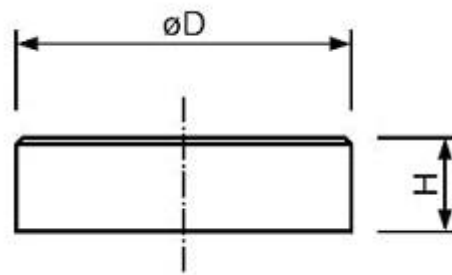
EN-G Series Pot magnet flat with an Eye bolt



They are assembled with a NdFeB disk magnet and steel eye bolt on the top. The NdFeB magnet can be Nickel or Zinc plated and the steel cover and eye bolt can be Nickel (Zinc or Chrome) plated.

Model	Ø D (mm)	M	Eye bolt Size	Holding Force (kg)	Weight (g)
EN-G16	16	4	M 4 x 10	5.5	11
EN-G20	20	4	M 4 x 10	9	21
EN-G25	25	5	M 5 x 10	22	37
EN-G32	32	6	M 6 x 15	34	56
EN-G36	36	6	M 6 x 15	41	68
EN-G42	42	6	M 6 x 15	68	97
EN-G48	48	8	M 8 x 20	81	154
EN-G60	60	8	M 8 x 20	113	282
EN-G75	75	10	M 10 x 20	164	560

EN-H Series Pot magnet flat



They are assembled with a NdFeB disk magnet. The NdFeB magnet can be Nickel or Zinc plated and the steel cover and hook can be Nickel (Zinc or Chrome) plated.

Model	Ø D (mm)	H	Holding Force (kg)
EN-H16	16	4.5	9.5
EN-H20	20	6	14
EN-H25	25	7	20
EN-H32	32	7	35
EN-H45	45	7	20